

LITHIUM PRIMARY BATTERY



Cell size references: 1/2UM3, 1/2R6, 1/2AA

PCL956427

3.6V 1200mAh

lithium-thionyl chloride batteries

Electrical characteristics

(Stored for one year or less)

◉ Nominal Capacity (1 mA to 2.0V, at 25 °C)	1200mAh
◉ Nominal voltage	3.6V
◉ Max continuous discharge current	40 mA
◉ Max. Pulse current Current value is obtained 2.0V cell voltage when pulse is applied for 15 seconds at 50% discharge depth at 25 °C	80mA
◉ Storage temperature	20 ! 30
◉ Operating temperature	-55 ! 85
◉ Weight(approx)	10g

WARNING:

Fire, explosion and severe burn hazard. Do not recharge, crush, disassemble, heat above 100 °C, incinerate or expose contents to water.

Key features

- High and stable operating voltage
- Low self-discharge rate
Less than 1% after 1 year of storage at 20°C
- Stainless steel container
- Hermetic glass-to-metal sealing
- Non-flammable electrolyte
- Compliant with IEC 86-4 safety standard
- Non-restricted for transport

Main applications

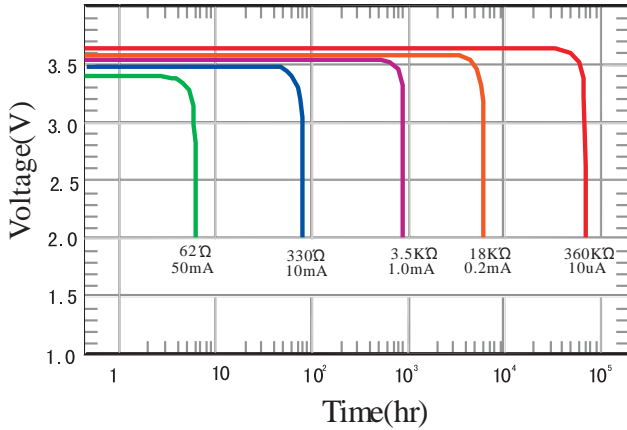
- TPMS
- Alarms and security system
- Memory back-up
- Tracking system
- Automotive electronics
- Professional electronics
- Computer real-time clocks

.....

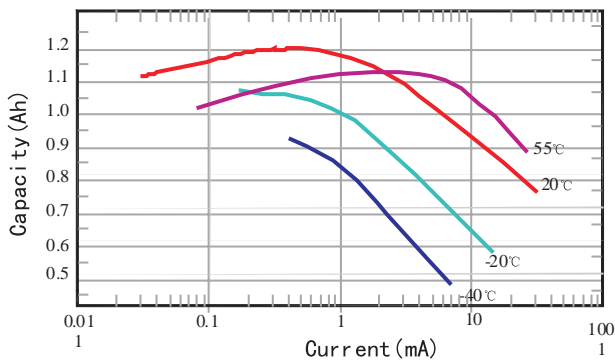
PCL956427

lithium-thionyl chloride batteries

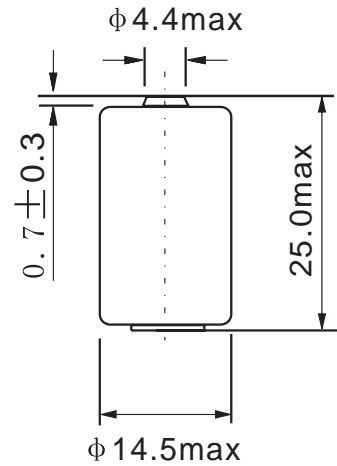
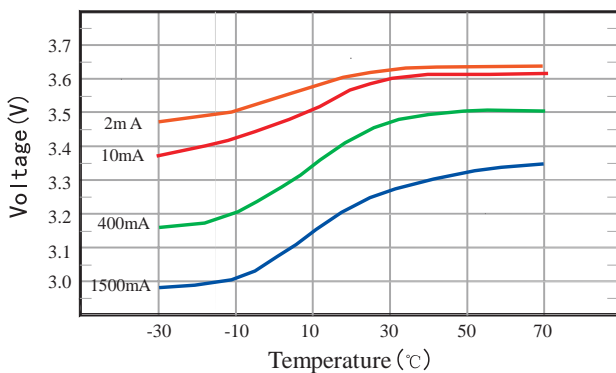
Dishcharge characteristics at 23±2°



Capacity versus Current



Voltage versus Temperature



Dimensions in mm

Available Terminations	
-/P	Axial Pin
-/T /PT2	Radial Pin
-/PT /TP	Polarized Tab

Storage characteristics

