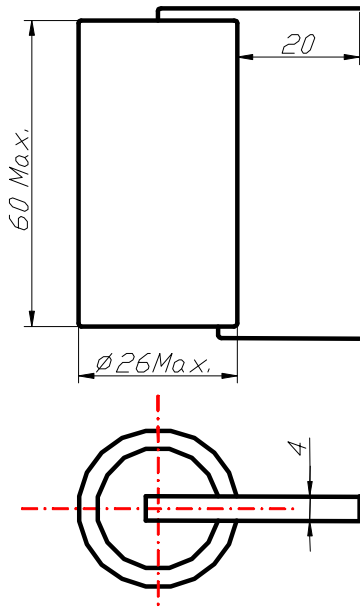


# MODEL NO.: PCL9011



T: Solder tabs

Notes:

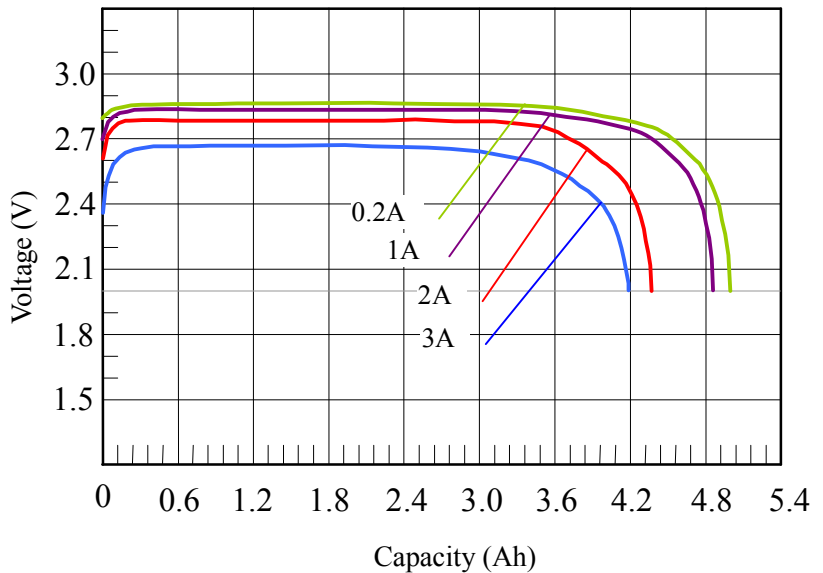
Dimension: mm

Special terminations can be Made as requested.

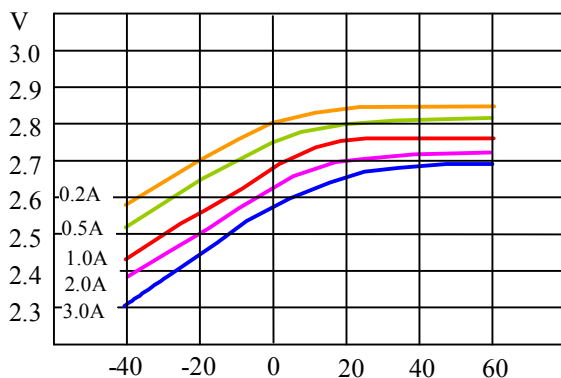
## ■ SPECIFICATION: ( $20 \pm 2^\circ\text{C}$ )

Nominal capacity (200mA $\sim$ 2V):	5.0 A h
Rated voltage:	2.9 V
Max constant current of discharge:	2500 mA
Weight:	57 g
Storage temperature range:	$-60 \sim 30^\circ\text{C}$
Operating temperature range:	$-55 \sim 65^\circ\text{C}$

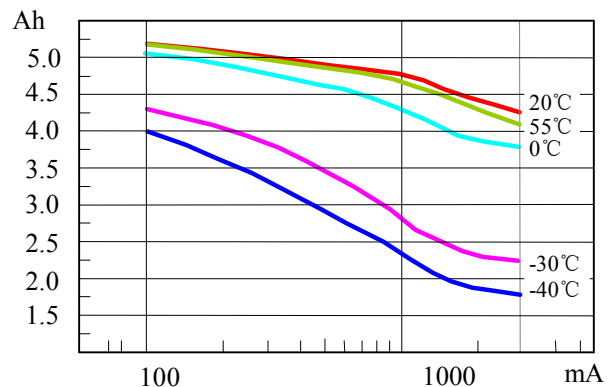
## ■ Discharge characteristics at $20 \pm 2^\circ\text{C}$



## ■ Voltage VS. Temperature



## ■ Capacity VS. Current



## ■ Important Notes:

Do not short or charge the battery. Over-discharging, crushing, incinerating, and disassembling the battery are prohibited. Do not heat/use the battery beyond the permitted temperature range.