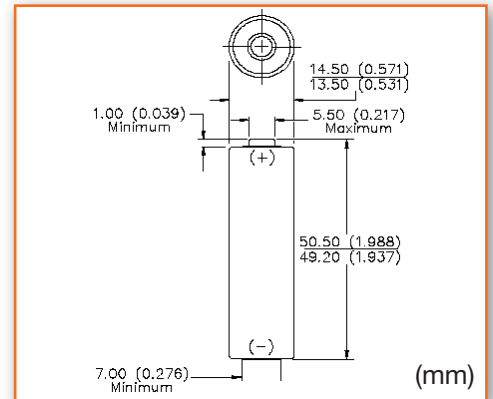




## LITHIUM BATTERY PILE LITHIUM

### MAIN INFORMATION / INFORMATIONS GENERALES

SIZE	FORMAT	L91
BRAND	MARQUE	NX
TECHNOLOGY	TECHNOLOGIE	Lithium/Iron Disulfide
NOMINAL VOLTAGE	TENSION NOMINALE	1.5V
NOMINAL CAPACITY	CAPACITÉ NOMINALE	2900mAh
NOMINAL CURRENT	COURANT NOMINAL	1000mA
MAXIMUM CONTINUOUS DISCHARGE CURRENT	COURANT DE DÉCHARGE CONTINU MAXIMUM	2000mA
OPERATING TEMPERATURE RANGE	PLAGE DE TEMPÉRATURE	-20°C / +60°C
STORAGE TEMPERATURE RANGE	PLAGE DE TEMPÉRATURE DES STOCKAGE	-20°C / +60°C
LITHIUM CONTENT	LITHIUM CONTENT	< 1 Gr.
WEIGHT	POIDS	14.5 Gr.



### DISCHARGE CURVES / COURBES DE DÉCHARGE

Discharge curve at 1000mA to 0.8V

