

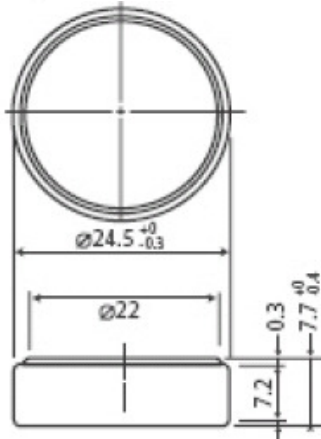


# TECHNICAL SPECIFICATIONS

## CR2477

PBL9516

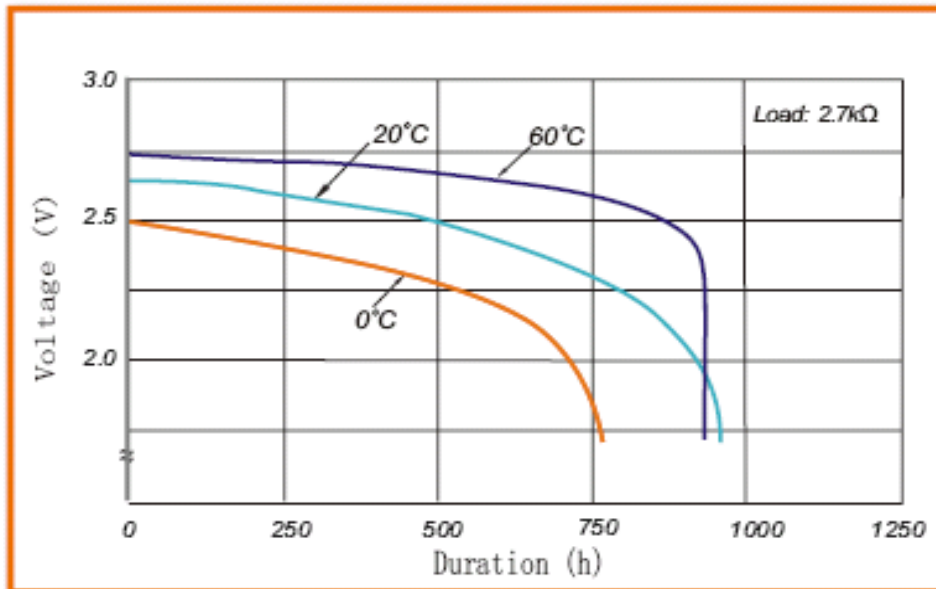
Dimensions(mm)



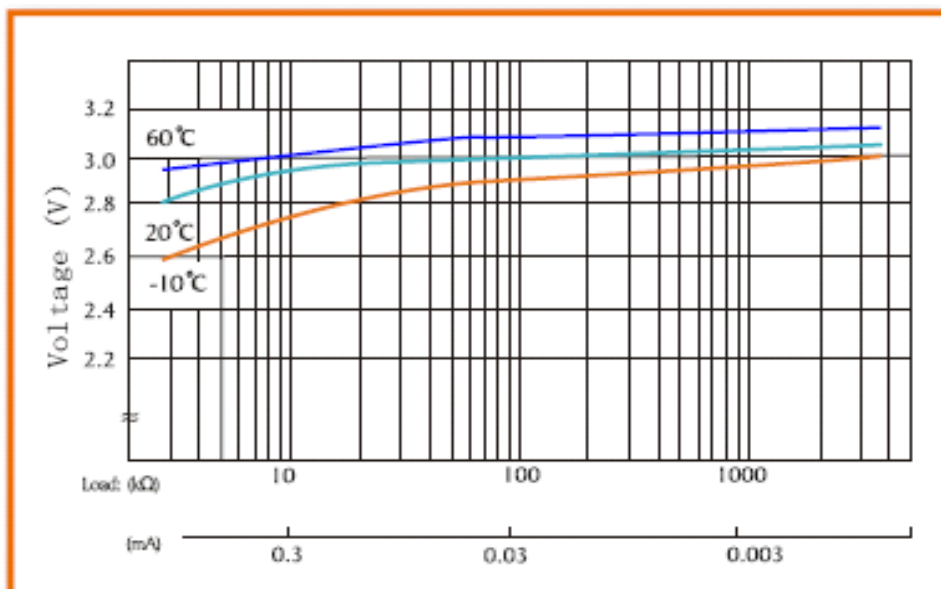
### ELECTRICAL CHARACTERISTICS

IEC	CR2477
Chemical system	Li-MnO <sub>2</sub>
Nominal Voltage	3V
Nominal capacity (15K $\Omega$ , 2.0V off)	1000mAh
Max. constant current	6mA
Max. pulse current	25mA
Operating temperature	-20 + 70°C
Weight	10g

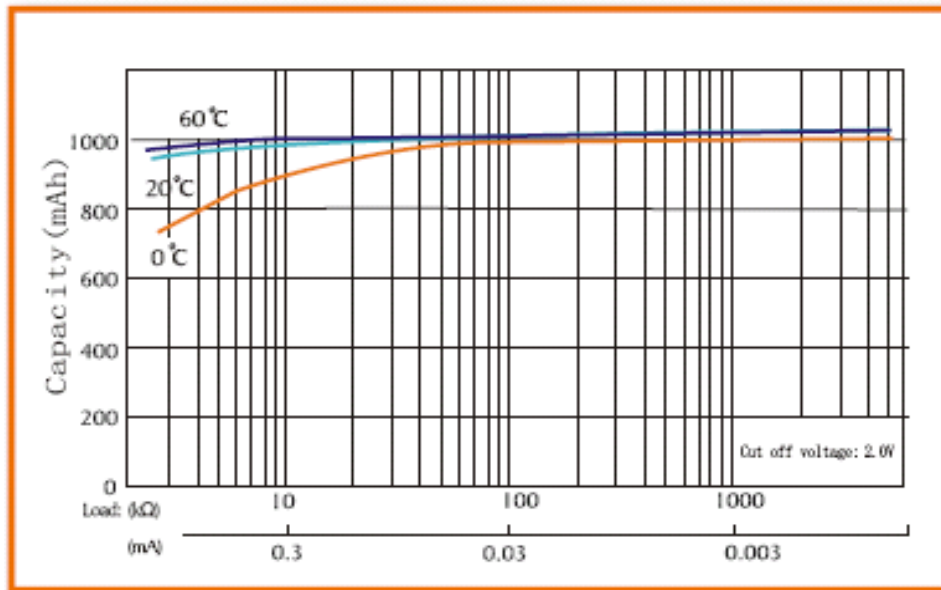
### TEMPERATURE CHARACTERISTICS



### OPERATING VOLTAGE VS. LOAD RESISTANCE



## CAPACITY VS. LOAD RESISTANCE



## INFORMATION

### *High cell voltage*

The battery has an open-circuit voltage of 3.15-3.30V and an operating voltage of above 3.00V, which are considerably higher than in any other commercially available primary batteries.

### *Superior safety*

The complete line of products is recognized and regularly supervised by Underwriters Laboratories, and meet UN transportation test requirements.

### *Environmental Friendly*

Li/MnO<sub>2</sub> batteries contain no polluting metals, such as cadmium, lead, mercury, etc., or the contents of the polluting metals are within the international standards.

### **WARNING**

Do not short-circuit between "+" and "-" terminals

Do not charge, damage the battery or throw it into fire

Do not solder directly on the battery. Please use wire or nickel sheet by spot welding