

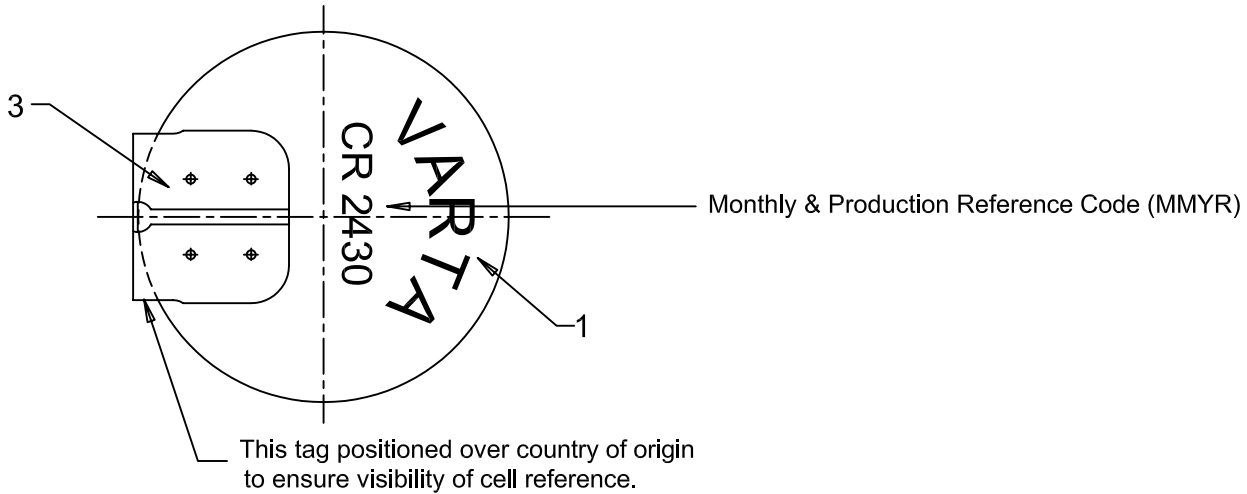
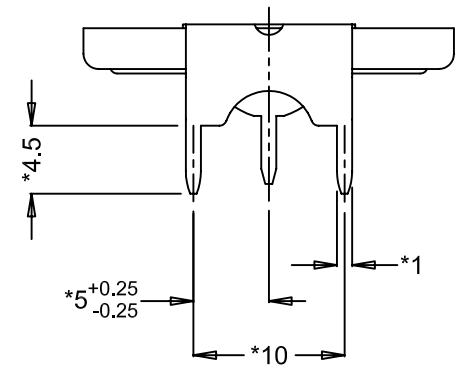
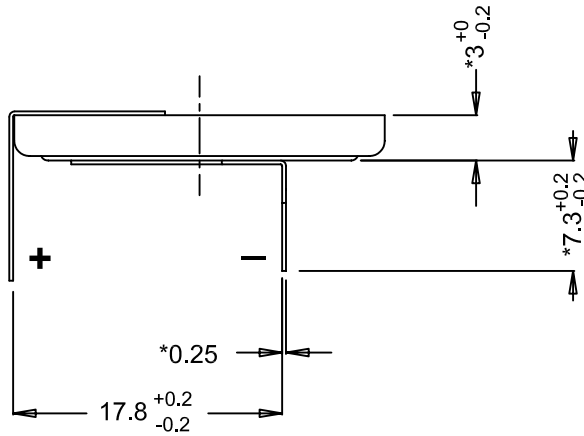
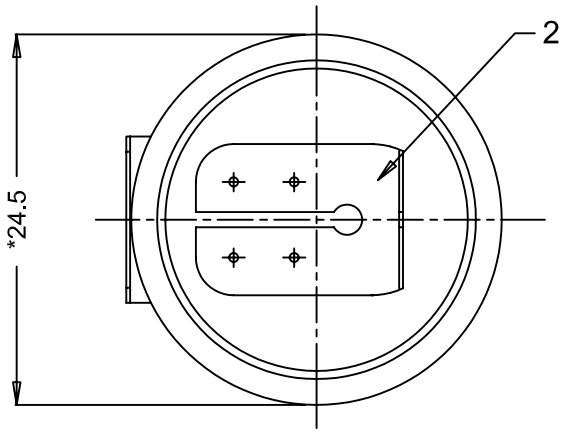
# VARTA Microbattery

mobility for you

**This is a controlled document.**

Hardcopy to be endorsed by authorized person.

Check with Issuing Office or SAP system for latest update.



Monthly & Production Reference Code (MMYR)

Note: \*Dimensions for reference only

Approx. wt: 5 g

4	C083/06	Change tags	2006-09-18	Ratna
3	R113/04	Change date code to MMYR was MMY to identification the laser machine	2004-12-22	Ratna
2	T18/01	To add the date code area for Lithium coin	2001-03-08	Yeni
1	T141/00	To change weld spot to 6 was 4	2000-11-11	Ratna
No	AO No	Revisions	1	Date

<b>Projection:</b>		<b>Material:</b> Refer to part list no: 005277		<b>Description:</b> CR 2430 with solder tags		
<b>Dimensions in mm</b>		<b>Prepared &amp; Checked</b>		<b>Verified &amp; Approved</b>		Dwg. No: 005277
<b>Tolerance: As specified</b>		2000-06-07 Titis WS				
<b>Scale: 2 : 1</b>				VKB Order No: 06430 401 501		404

Rights reserved to make technical changes, as a result of further development, without notice. This drawing is the property of VARTA Microbattery and must not be copied or disclosed to a third party without the written consent of VARTA Microbattery.

