

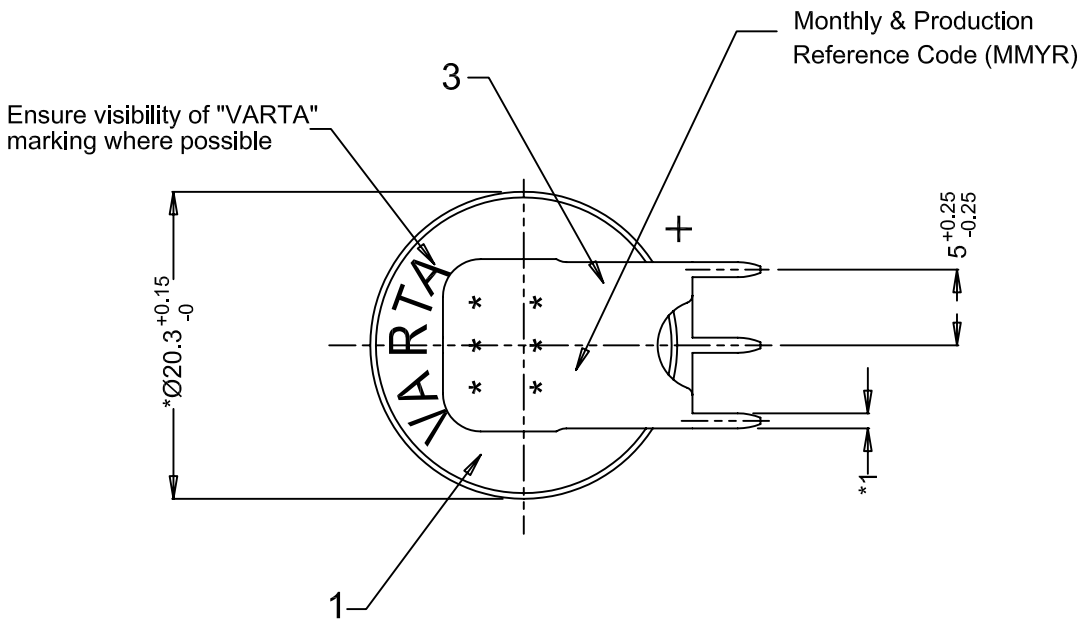
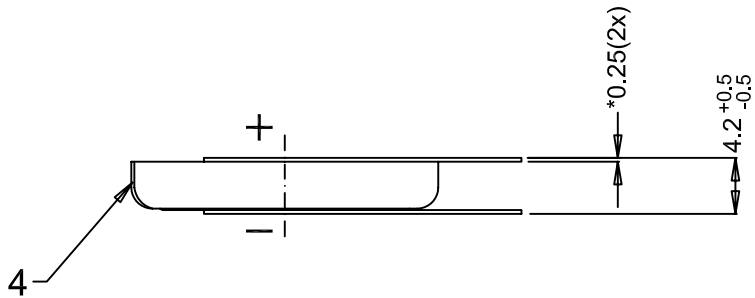
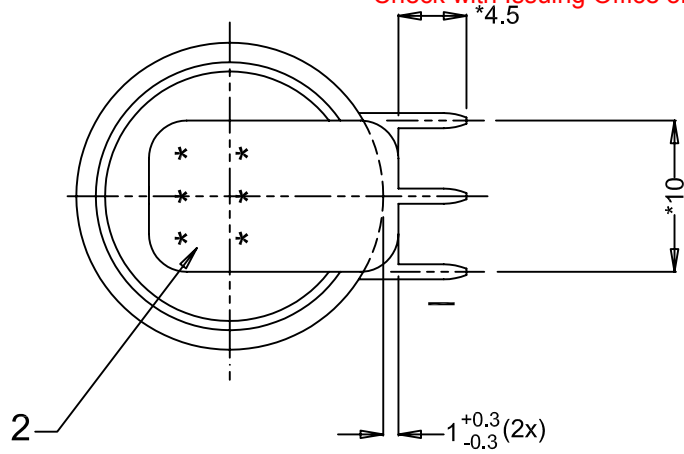
# VARTA Microbattery

mobility for you

This is a controlled document.

Hardcopy to be endorsed by authorized person.

Check with Issuing Office or SAP system for latest update.



Note : \*Dimensions for reference only.

No	AO No	Revisions	Date	Name
3	R113/04	Change date code to MMYR was MMY to identification the laser machine	2004-12-22	Ratna
2	T18/01	To add the date code area for Lithium coin	2001-03-08	Yeni
1	T141/00	To change weld spot to 6 was 4	2000-11-11	Ratna

<b>Projection:</b>		<b>Material:</b> Refer to part list no: 004749		<b>Description:</b> 3V CR 2032 SLF with casing & solder tags		
<b>Dimensions in mm</b>		<b>Prepared &amp; Checked</b> 2000-10-09 Titus WS		<b>Verified &amp; Approved</b>		<b>Dwg. No:</b> 004749
<b>Tolerance:</b> As specified		<b>Scale:</b> 2 : 1		<b>VKB Order No:</b> 06032 201 501		403

Rights reserved to make technical changes, as a result of further development, without notice. This drawing is the property of VARTA Microbattery and must not be copied or disclosed to a third party without the written consent of VARTA Microbattery.

