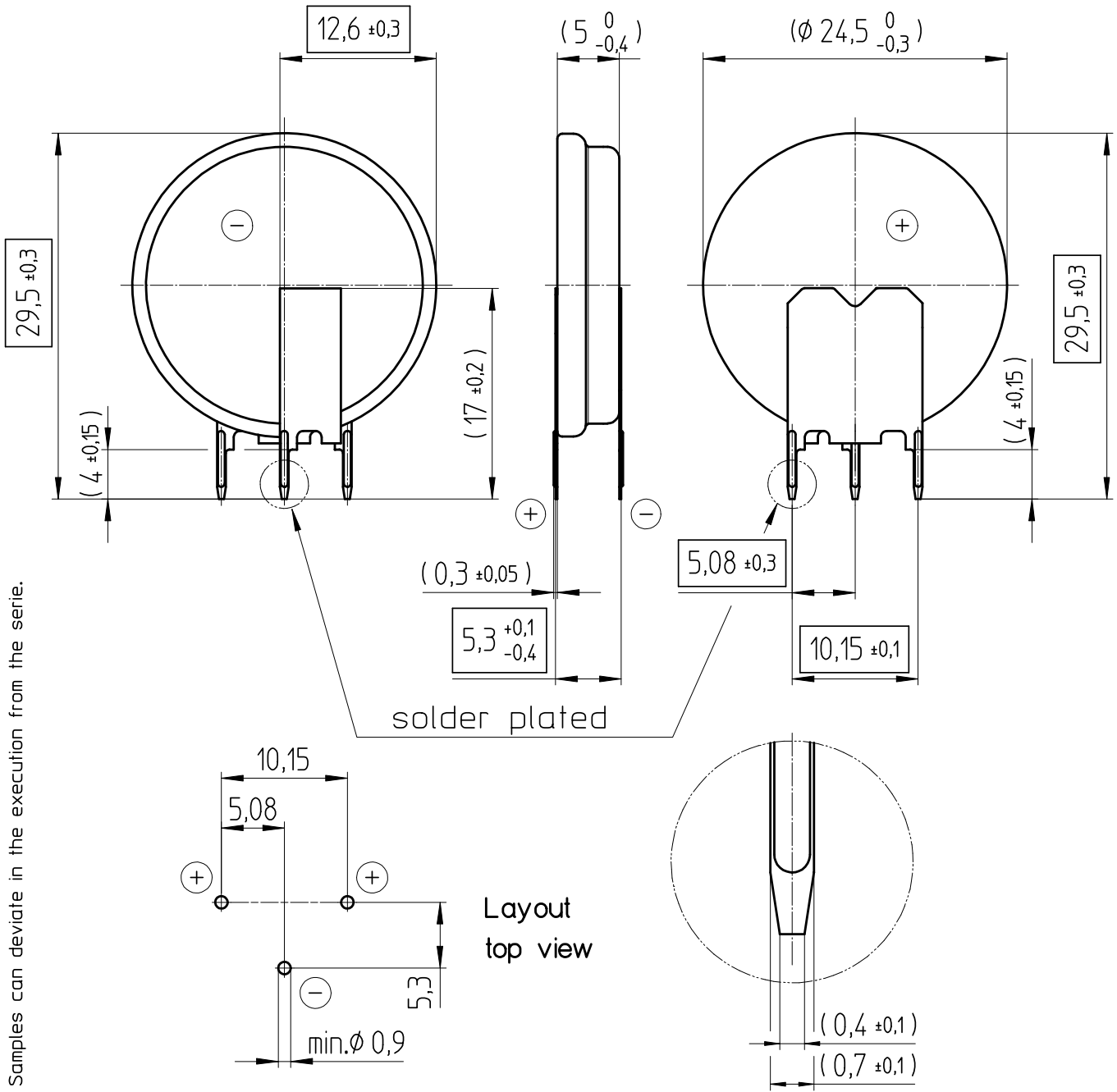


- Samples can deviate in the execution from the serie.

- Dimensions and tolerances can be specified only after the testing of the devices for the mass production definitely



Tab material: Stainless steel

All framed values will be used for dimension checking !

Rev. ○	Rev. ○	Rev. ○			Customer's Approval		
Rev. ○	Rev. ○	Rev. ○			Date		
Rev. ○	Rev. ○	Rev. ○			Signature		
Titel:				Scale	Drawn	06.01.05	SRi
CR2450NRV-LF				2:1	Checked	07.02.05	MHo
					Approved		
				CH-4452 Itingen Switzerland		3.8737.4-	