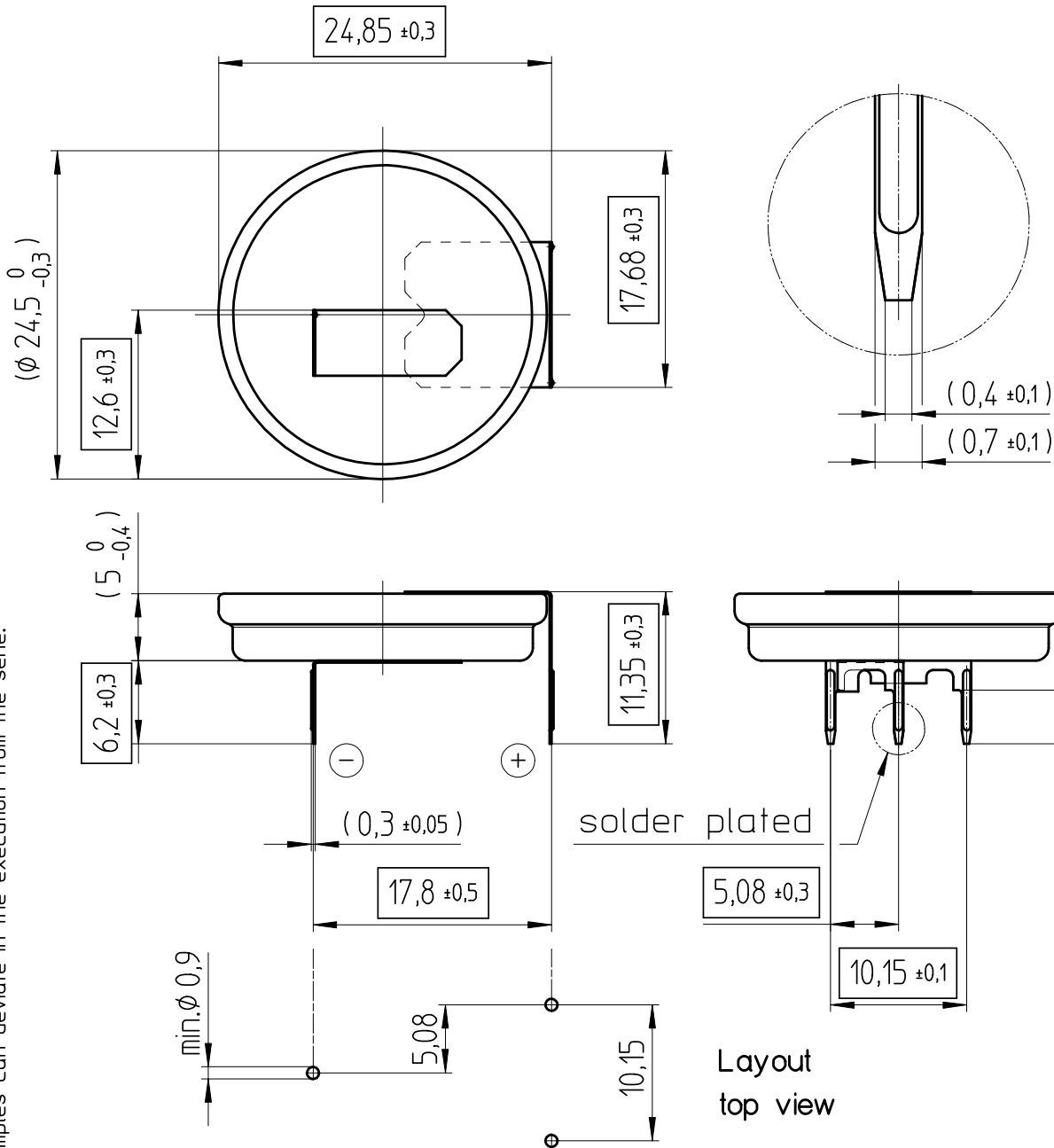


Art.-Number: 701097



- Samples can deviate in the execution from the serie.

Tab material: Stainless steel

All framed values will be used for dimension checking !

- Dimensions and tolerances can be specified only after the testing of the devices for the mass production definitely

| | | | | | | | | | | |
|--------------|---|--|--|--------------------------------|---|--|-----------|---------------------|----------|-----|
| Rev. | ○ | | | Rev. | ○ | | | Customer's Approval | | |
| Rev. | ○ | | | Rev. | ○ | | | Date | | |
| Rev. | ○ | | | Rev. | ○ | | | Signature | | |
| Titel: | | | | | | | Scale | Drawn | 05.01.05 | SRi |
| CR2450NRH-LF | | | | | | | 2:1 | Checked | 07.02.05 | MHo |
| | | | | | | | Approved | | | |
| | | | | CH-4452 Itingen Switzerland | | | 3.8735.4- | | | |