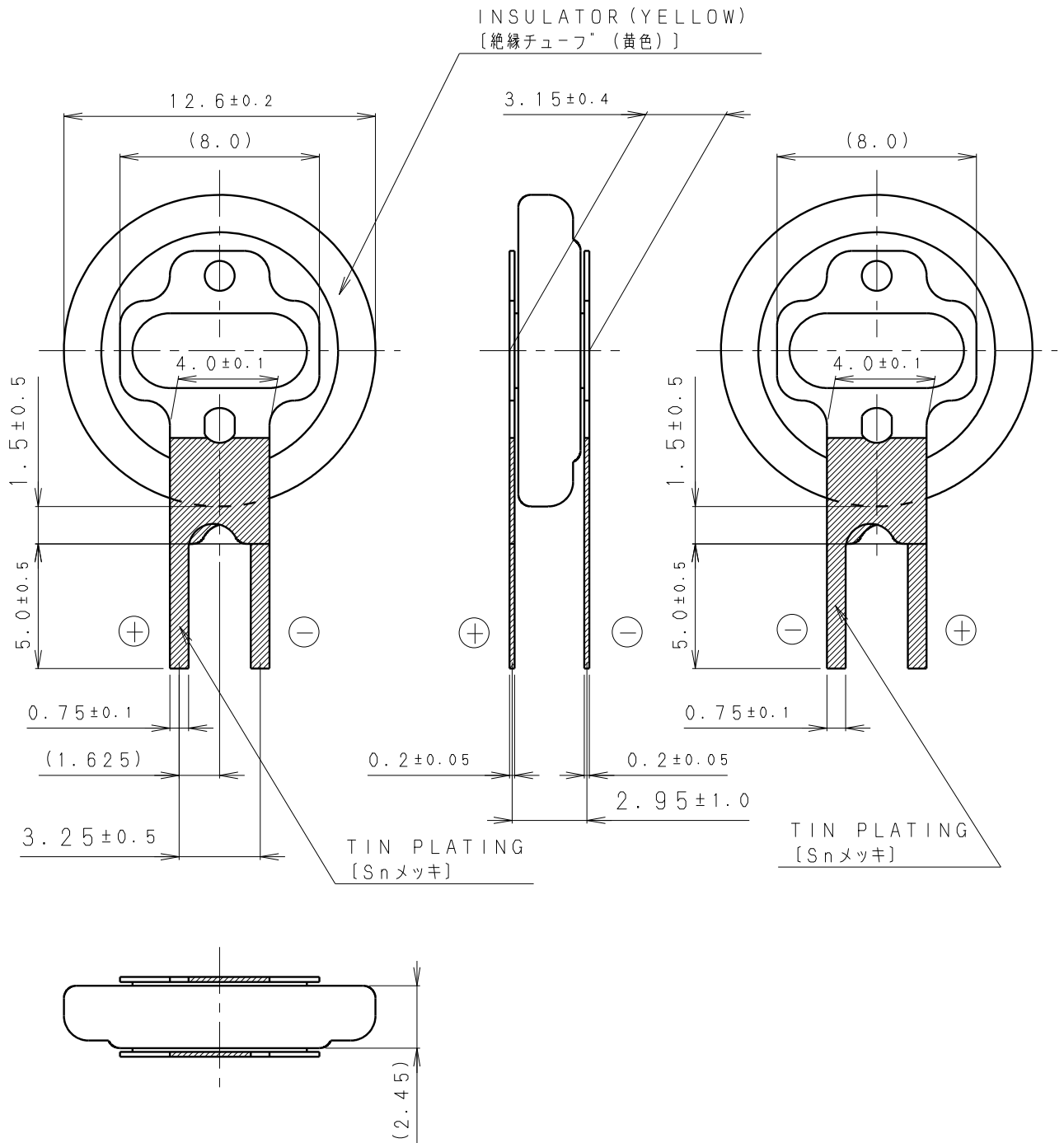


* NOTE [注記]

1. TAB PULLING STRENGTH OVER 19.6N
[端子溶接強度：19.6N以上]
2. TAB MATERIAL: STAINLESS STEEL WITH TIN PLATING [Hatched]
[端子材料：基材 ステンレス/表面 部分Snメッキ [Hatched]]
3. () : REFERENCE DIMENSION AND ANGLE
[() 寸法、角度は参考値]

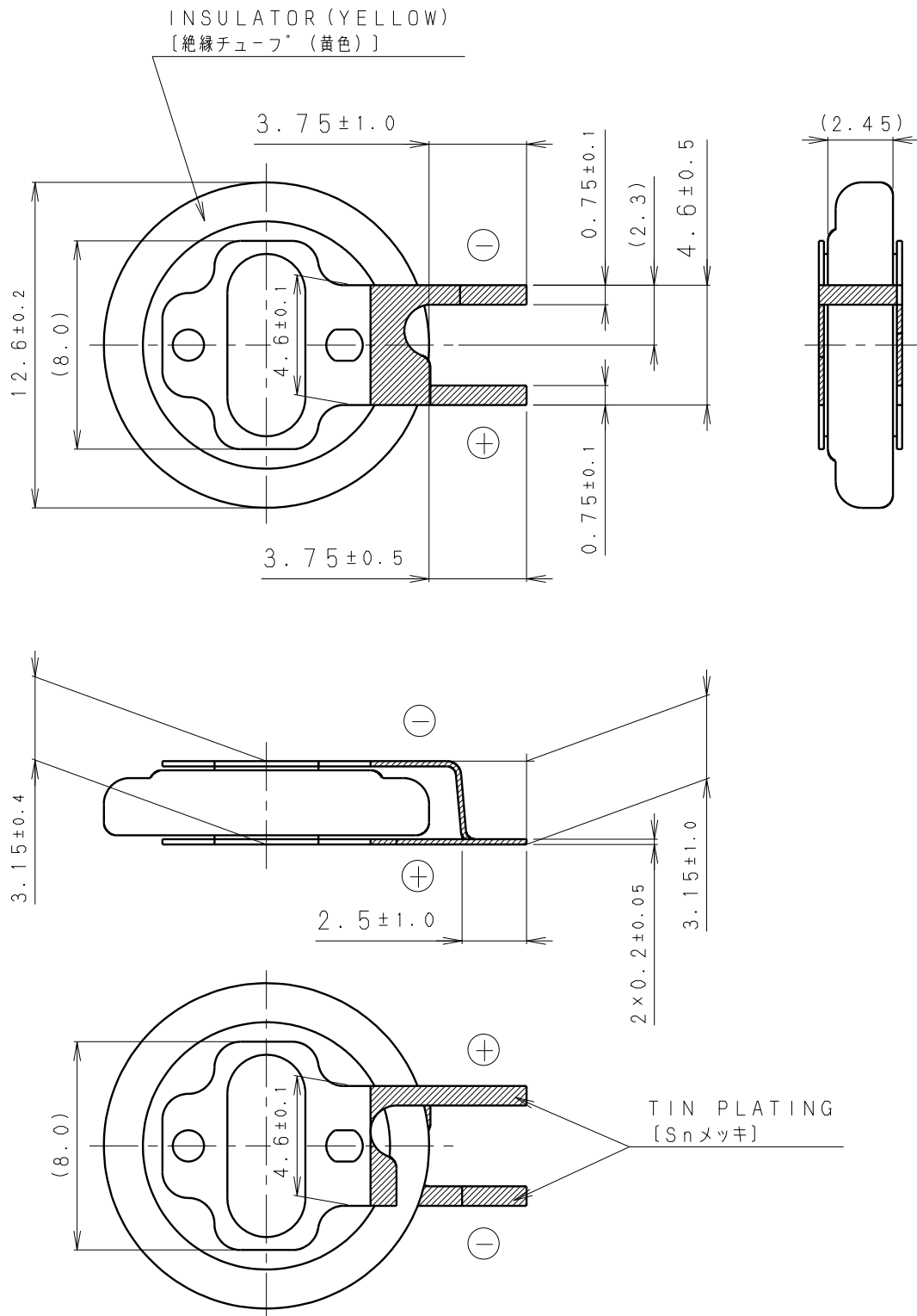
| | | | |
|-------------|--------------|-------|-------------|
| PRODUCT NO. | BR-1225/V1BN | SCALE | |
| | | 4:1 | |
| DRAWING NO. | JGVA1Z | REV. | UNIT:mm |
| | | 0 | |



* NOTE [注記]

- TAB PULLING STRENGTH OVER 19.6N
[端子溶接強度：19.6N以上]
- TAB MATERIAL: STAINLESS STEEL WITH TIN PLATING
[端子材料：基材 ステンレス/表面 部分Snメッキ]
- () : REFERENCE DIMENSION AND ANGLE
[() 寸法、角度は参考値]

| | | | |
|-------------|-------------|-------|--|
| PRODUCT NO. | BR-1225/VCN | SCALE | |
| | | 4:1 | |
| DRAWING NO. | JGVB1Z | REV. | |
| | | 0 | |



* NOTE [注記]

1. TAB PULLING STRENGTH OVER 19.6N
[端子溶接強度：19.6N以上]
2. TAB MATERIAL: STAINLESS STEEL WITH TIN PLATING [斜線]
[端子材料：基材 ステンレス/表面 部分Snメッキ [斜線]]
3. () : REFERENCE DIMENSION AND ANGLE
[() 寸法、角度は参考値]

| | | | |
|-------------|-------------|-------|--------------|
| PRODUCT NO. | BR-1225/VFN | SCALE | |
| | | 4:1 | |
| DRAWING NO. | JGFA6Z | REV. | UNIT: mm |
| | | 0 | |