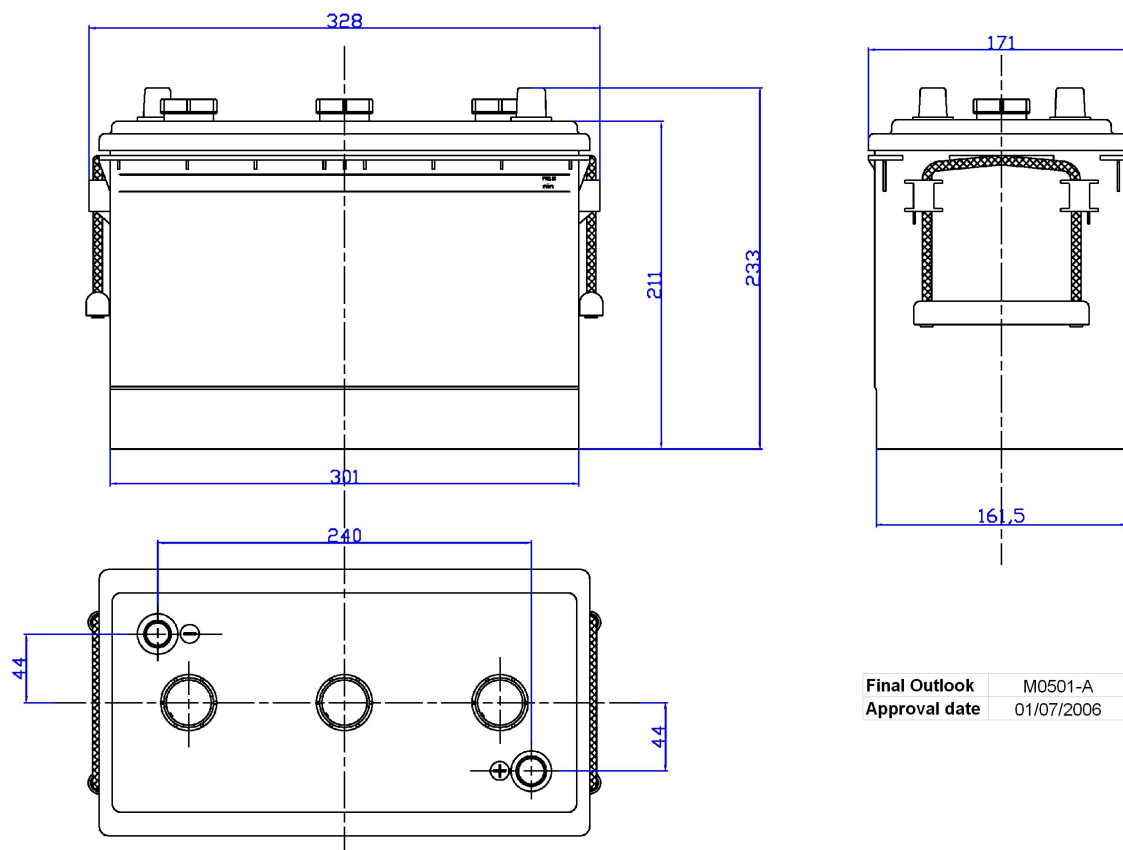


Central Article Code: M05090W01-A

ETN Code or Other: 913 001 000

Created: 07/09/2005

Modified: 7/7/2006



Final Outlook	M0501-A
Approval date	01/07/2006

PERFORMANCES

Voltage (V):	6 V
C20 (Ah):	165.0 20 h
Rc (min):	0
Cranking (A):	900 EN
Vibration:	V3 (35Hz/6g/20h)
Endurance:	E2 (90 cycles@50%)
Charge:	WET
Technology:	Vented/Flooded
Grid:	Hybrid

WEIGHT AND STD. DIMENSIONS

Battery Weight (kg):	25.00
Volume acid (l):	0.00
Length (mm):	330
Width (mm):	174
Height (mm):	234

All figures show nominal values. Tolerances are according to EN50342 and applicable European Regulations.

CONTAINER

Type:	M05	BLACK
Hold Down:	B0	
H.D. Adapter:	No	

COVER

Type:	Flat/Screw	BLACK
Polarity:	ETN 0	
Terminals:	EN taper post	
Terminal Adapter:	No	
SOCI:	No	
Ventilation:	Independent	
Filter:	No	
Lateral Plug:	No	

PLUGS

Type:	3 x M27	BLACK
-------	---------	-------

HANDLES

Type:	2 x Rope (Flexible)	BLACK
-------	---------------------	-------

OTHERS

Degassing Tube:	No
-----------------	----