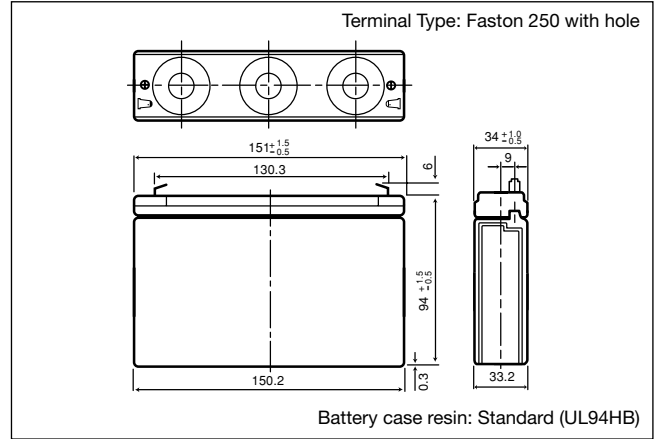


**UP-RW0645P1**

For standby power supplies.  
Expected trickle life: 6 – 9 years at 20 °C.



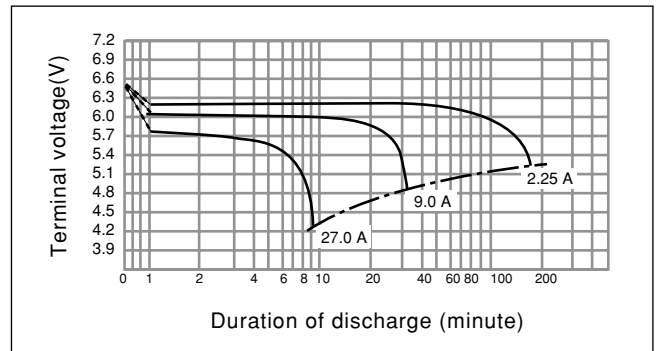
**Dimensions (mm)**



**Specifications**

Nominal voltage		6 V
Nominal capacity (10 minute rate)		45 W/2 V
Dimensions	Length	151 mm
	Width	34 mm
	Height	94 mm
	Total Height	100 mm
Approx. mass		1.3 kg

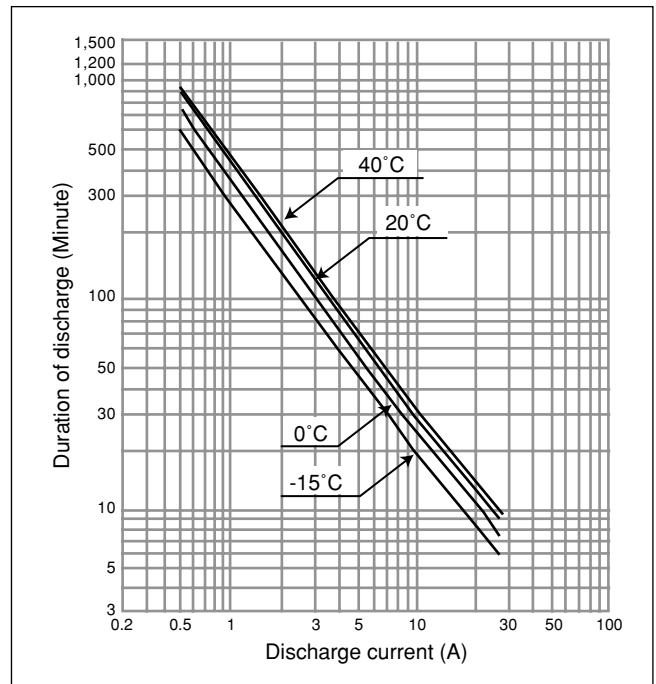
**Discharge characteristics (20 °C) (Note)**



**Characteristics**

Capacity (note) (20 °C) (9.6 V cutoff)	30 minute rate	56 W
	15 minute rate	97 W
	10 minute rate	134 W
	5 minute rate	205 W
Internal resistance	Fully charged battery (20 °C)	Approx. 11 mΩ
Temperature dependency of capacity (10 hour rate)	40 °C	102 %
	20 °C	100 %
	0 °C	85 %
	-15 °C	65 %
Self discharge (20 °C)	Residual capacity after standing 3 months	91 %
	Residual capacity after standing 6 months	83 %
	Residual capacity after standing 12 months	66 %

**Duration of discharge vs. Discharge current (Note)**



**Watt table**

Cutoff	Discharge Runtime at 20 °C						
	3 min.	5 min.	7 min.	10 min.	15 min.	20 min.	30 min.
9.6 V	265	205	165	134	97	79	56
10.2 V	245	195	157	129	96	78	55
10.8 V	217	165	137	117	90	73	54

(Note) The above characteristics data are average values obtained within three charge/discharge cycles, not the minimum values. This battery is designed for high-rate-discharge and we do not specify 20 hour rate discharge capacity. For cycle use of the battery, please contact Panasonic in advance.