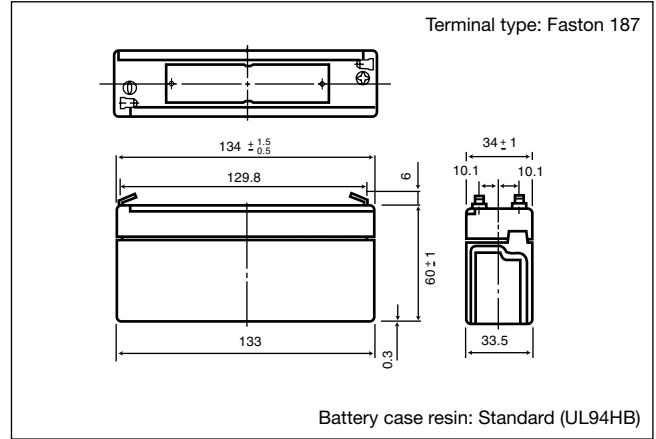


LC-R063R4P

For main and standby power supplies.
Trickle Design life: 6 – 9 years at 20 °C



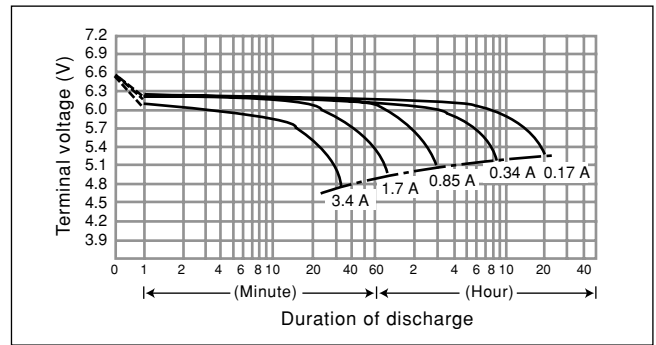
Dimensions (mm)



Specifications

Nominal voltage		6 V
Rated capacity (20 hour rate)		3.4 Ah
Dimensions	Length	134 mm
	Width	34 mm
	Height	60 mm
	Total Height	66 mm
Approx. mass		0.62 kg

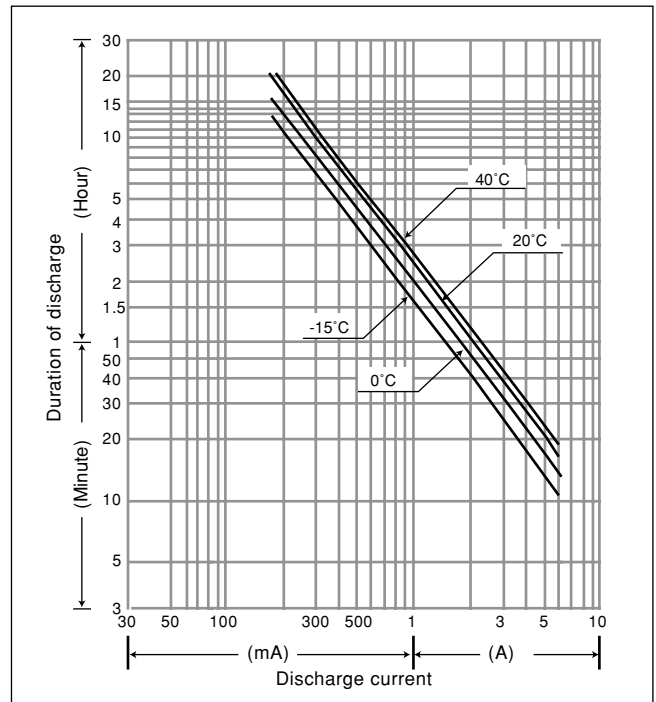
Discharge characteristics (20 °C) (Note)



Characteristics

Capacity (note) (20 °C)	20 hour rate (170 mA)	3.40 Ah
	10 hour rate (300 mA)	3.00 Ah
Internal resistance	5 hour rate (540 mA)	2.70 Ah
	1 hour rate (2100 mA)	2.10 Ah
Temperature dependency of capacity (20 hour rate)	1.5 hour rate discharge Cut-off voltage 5.25 V	1.5 A
	Fully charged battery (20 °C)	Approx. 30 mΩ
Self discharge (20 °C)	40 °C	102 %
	20 °C	100 %
	0 °C	85 %
	-15 °C	65 %
Duration of discharge vs. Discharge current (Note)	Residual capacity after standing 3 months	91 %
	Residual capacity after standing 6 months	83 %
	Residual capacity after standing 12 months	66 %

Duration of discharge vs. Discharge current (Note)



(Note) The above characteristics data are average values obtained within three charge/discharge cycles, not the minimum values.